



## RS10 - 54 dB

Professional acoustic door

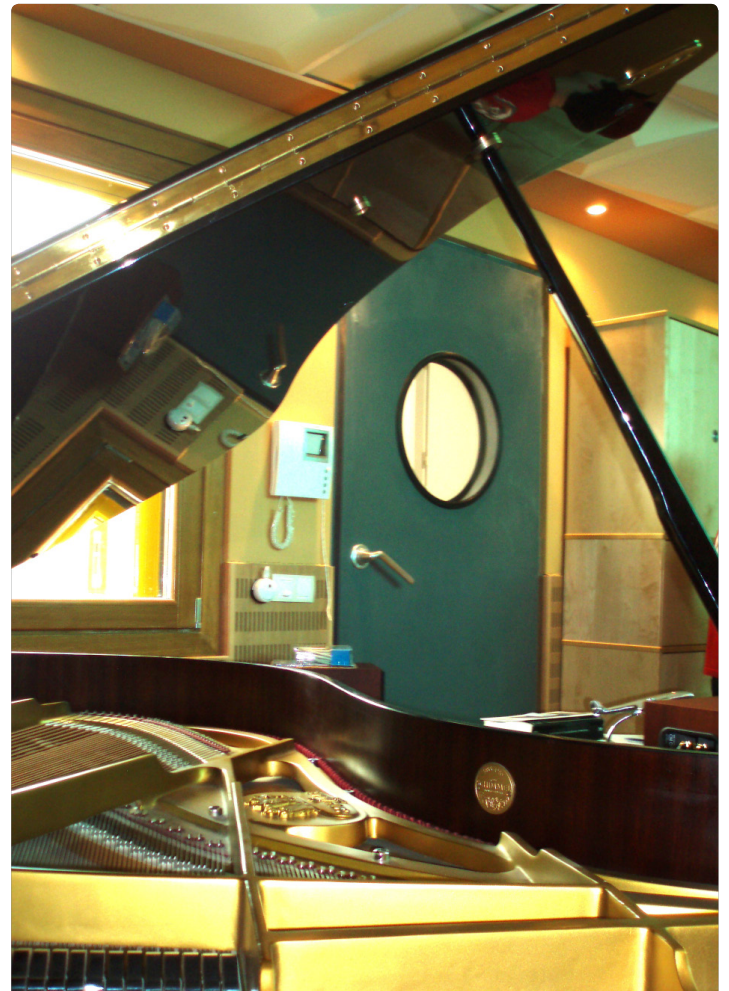
### Presentation

The RS range of acoustic doors designed and manufactured by Acústica Integral meets all market requirements. These are certified, high-performance, high-quality and robust doors

### Advantages

A professional door with an exceptional 54 dB acoustic insulation. Automated manufacturing process. Standard models and special manufacturing. A wide range of accessories.

### Applications



## Technical Data

**Description:** 91mm thick steel acoustic door composed by frame and leaf manufactured with a 1.5 mm. thick polished metal sheet. Inner filling of the leaf: Soundproofed and absorbing materials.

Equipped with triple perimetral seals.

**Closure:** Pressure using an inside cam latch.

**Surface finishing:** Synthetic primer (prepared for painting).

**Heat transfer coefficient Ud:** 1,46 W/m<sup>2</sup>K.

**Acoustic certification:** Valid for the door without accessories.

Certification



Isolation

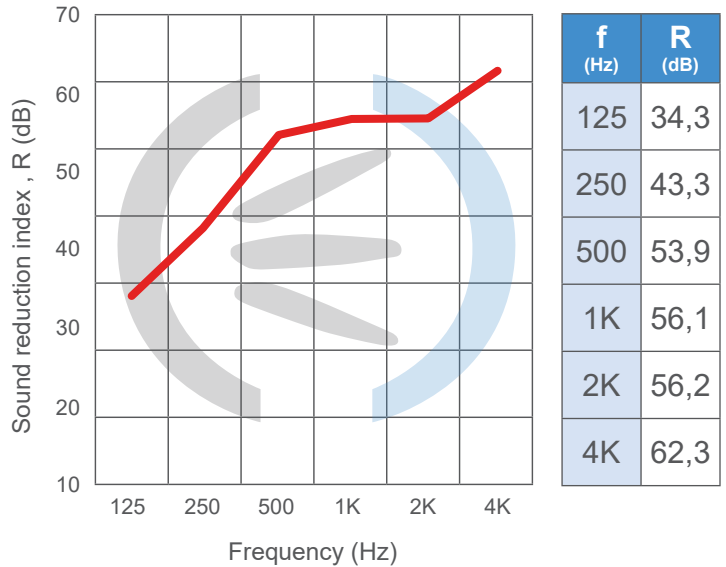


CE Marked



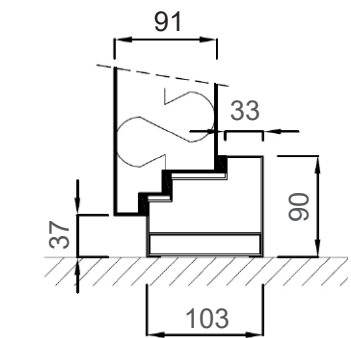
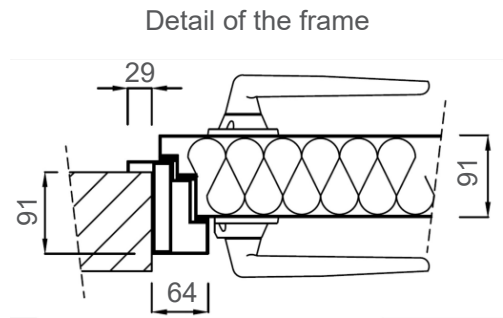
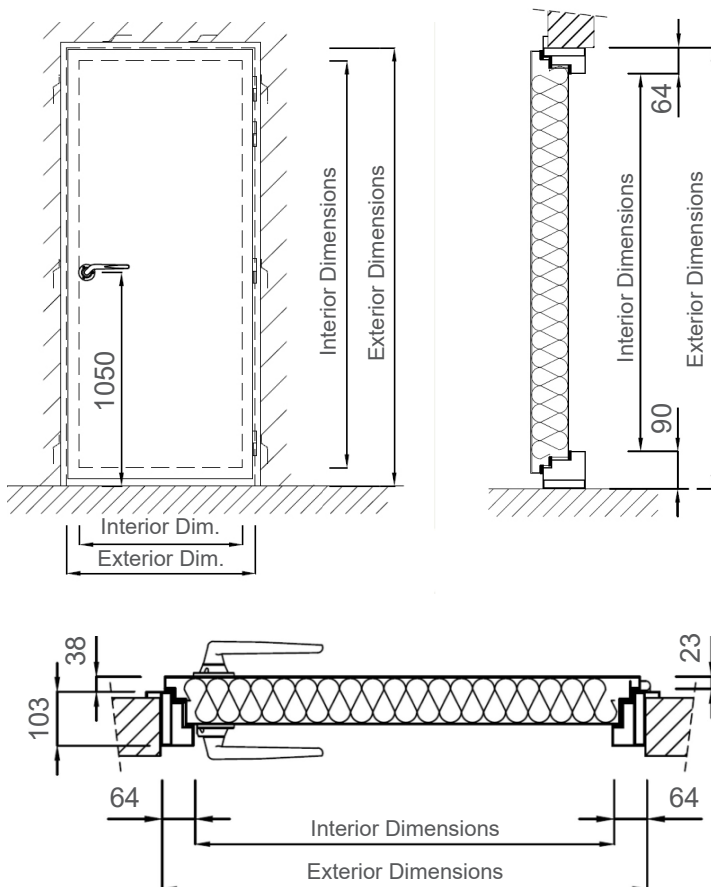
Single leaf (W x H in mm)		
Model	Int. Dim.	Ext. Dim.
RS10/01	800 x 2000	928 x 2154
RS10/02	900 x 2000	1028 x 2154
RS10/03	1000 x 2000	1128 x 2154

Double leaf (W x H in mm)		
Model	Int. Dim.	Ext. Dim.
RS10/21	1400 x 2000	1528 x 2154
RS10/22	1600 x 2000	1728 x 2154
RS10/23	1800 x 2000	1928 x 2154
RS10/24	2000 x 2000	2128 x 2154
Unequal leaves (800+600) for RS10/21		



RS10	
Overall sound reduction index, $R_w$ (C;Ctr):	54 (-2;-8) dB
Overall weighted sound reduction index A, $R_A$ :	52,3 dBA

## Diagrams / Sketch



**Note:** Maximum opening for leaves: 160°